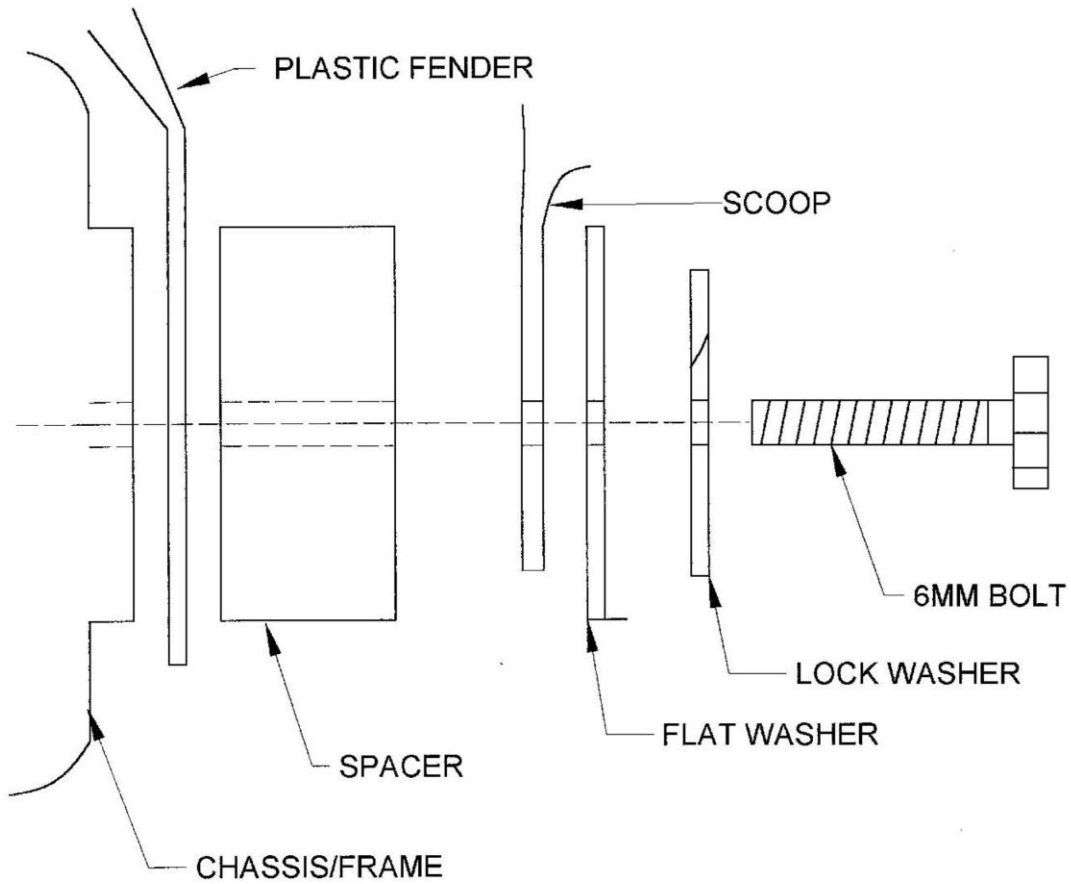




## TRX400EX Direct Mount Scoop Instructions



Spacers are used in the upper and lower mounting holes only.  
The rear most mount does not use a spacer  
This view is from the front looking at the left fender assembly.  
Opposite side will have mirror image.